

**Product description**  
**Distributor ZV-C**

**APPLICATION**

The distributors ZV-C are used for dual-line central lubrication systems for grease and for oil. Their function is to meter the lubricant and to press it through the lines to the lubrication points independently of back pressure.

**PRODUCT CHARACTERISTICS**

- Dual-line manifold block type C
- Grease and oil
- up to 4 outlets
- Metered volume continuously adjustable from 2.5 to 15 cm<sup>3</sup>
- Material: continuous casting



**DESIGN**

The distributors ZV-C are block type designed, and constructed in different metering volumes. Each distributor has two threaded holes G 3/8 on each of its two faces for the optional connection of the two main lines. For the connection of the friction point lines, the distributor has two to four threaded holes G 1/4. The distributor does not have springs and works hydraulically, operated by the lubricant.

**FUNCTION**

The distributor ZV-C has one metering piston and one control piston for every two lubrication points, connected. Depending on either main line no. I or main line no. II is pressurized, where the second main line must be relieved of pressure, only that lubrication point will be served which is associated with the main line concerned. As a result, an operating cycle always includes two lubricating strokes.



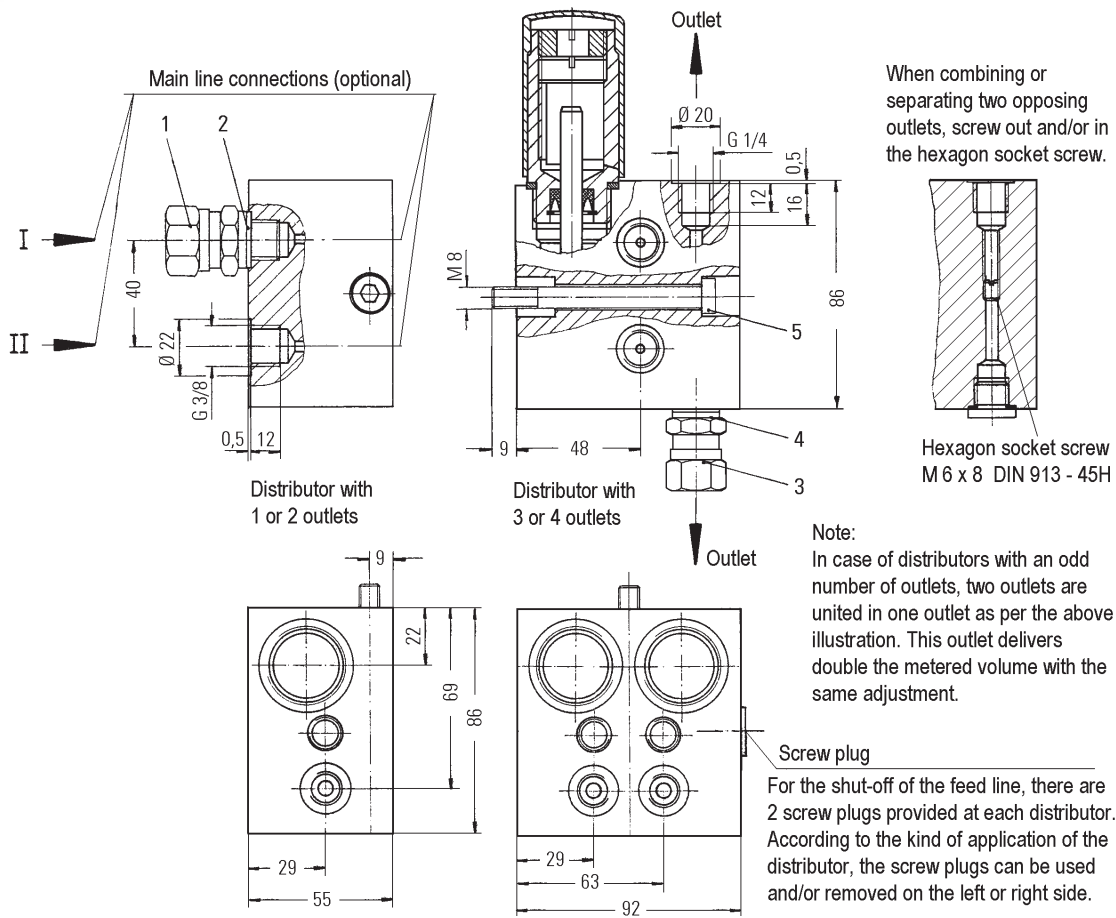
<b>A. DISTRIBUTOR TYPE</b>	<b>Code</b>
----------------------------	-------------

ZVC

<b>B. NUMBER OF OUTLETS</b>	<b>Code</b>
-----------------------------	-------------

1 outlet  
2 outlets  
3 outlets  
4 outlets

01  
02  
03  
04



<b>C. REVISION</b>	<b>Code</b>
--------------------	-------------

Status A

A

<b>D. METERED VOLUME</b>	<b>Code</b>
--------------------------	-------------

15 cm<sup>3</sup>

15



### SPECIFICATION

Working pressure max. : \_\_\_\_\_ 400 bar  
 Actuating pressure min.: \_\_\_\_\_ 10 bar  
 Metered volume : \_\_\_\_\_ continuously adjustable from 2.5 to 15 cm<sup>3</sup>  
 Actuating volume : \_\_\_\_\_ 0.3 cm<sup>3</sup>  
 Number of outlets : \_\_\_\_\_ 1 up to 4  
 Temperature range : \_\_\_\_\_ - 20 °C up to + 80 °C  
 Suitable lubricants on mineral oil basis:  
   Grease lubricants \_\_\_\_\_ NLGI class 3 DIN 51818  
   Oil \_\_\_\_\_ ISO VG 68 to 1500 (DIN 51519) as service viscosity 190 mm<sup>2</sup>s  
   Synthetic lubricants : \_\_\_\_\_ on request

### ATTENTION

Pressurization of the distributors with more than 400 bar means danger to life and limb of persons.

### EXAMPLE OF ORDER

		Code							
		Z	V	C	0	3	A	1	5
<b>Distributor type ZV-C</b>	Code: ZVC	_____	_____	_____	_____	_____	_____	_____	_____
<b>Number of outlets</b> 3 outlets	Code: 03	_____	_____	_____	_____	_____	_____	_____	_____
<b>Revision</b> Status A	Code: A	_____	_____	_____	_____	_____	_____	_____	_____
<b>Metered volume</b> 15 cm <sup>3</sup>	Code: 15	_____	_____	_____	_____	_____	_____	_____	_____



**DELIMON**

**Zentrale**

Arminstraße 15  
D-40227 Düsseldorf  
Postfach 10 20 52  
D-40011 Düsseldorf  
Telefon: +49 211 7774 0  
Telefax: +49 211 7774 210  
kontakt@bijurdelimon.com  
www.bijurdelimon.com

**DELIMON**

**Niederlassung**

Am Bockwald 4  
D-08344 Grünhain-Beierfeld

**DELIMON**

**Österreich**

Am Spitz 2-3 / Schloßhofer Str. 4-6  
Stiege 4, Top 20  
A-1210 Wien  
Telefon: +43 1 585 66 17  
Telefax: +43 1 585 66 17 50  
kontakt@bijurdelimon.com  
www.bijurdelimon.com

**LUBRIMONSA**

**Spain**

Avda. Txori-Erri 38  
48150 Sondica - (Vizcaya)  
Teléfono: +34 94 453 20 00  
Fax: +34 94 453 25 00  
spain@bijurdelimon.com  
www.bijurdelimon.com

**DELIMON-Denco Lubrication**

**DELIMON-Cooling**

**United Kingdom**

Ramsden Court, Ramsden Road  
Rotherwas Industrial Estate  
Hereford, HR2 6LR  
Phone: +44 (0) 1432 365 000  
Fax: +44 (0) 1432 365 001  
info@delimon.co.uk  
www.bijurdelimon.com

**BIJUR Products, Inc.**

**France**

BP 50  
ZI de Courtabœuf  
5, Avenue de l'Atlantique  
91942 Les Ulis Cedex  
Tél.: +33 1 692 985 85  
Fax: +33 1 690 776 27  
contact@bijurdelimon.com  
www.bijurdelimon.com

*Für reibungslose Bewegung  
For smooth motion*

